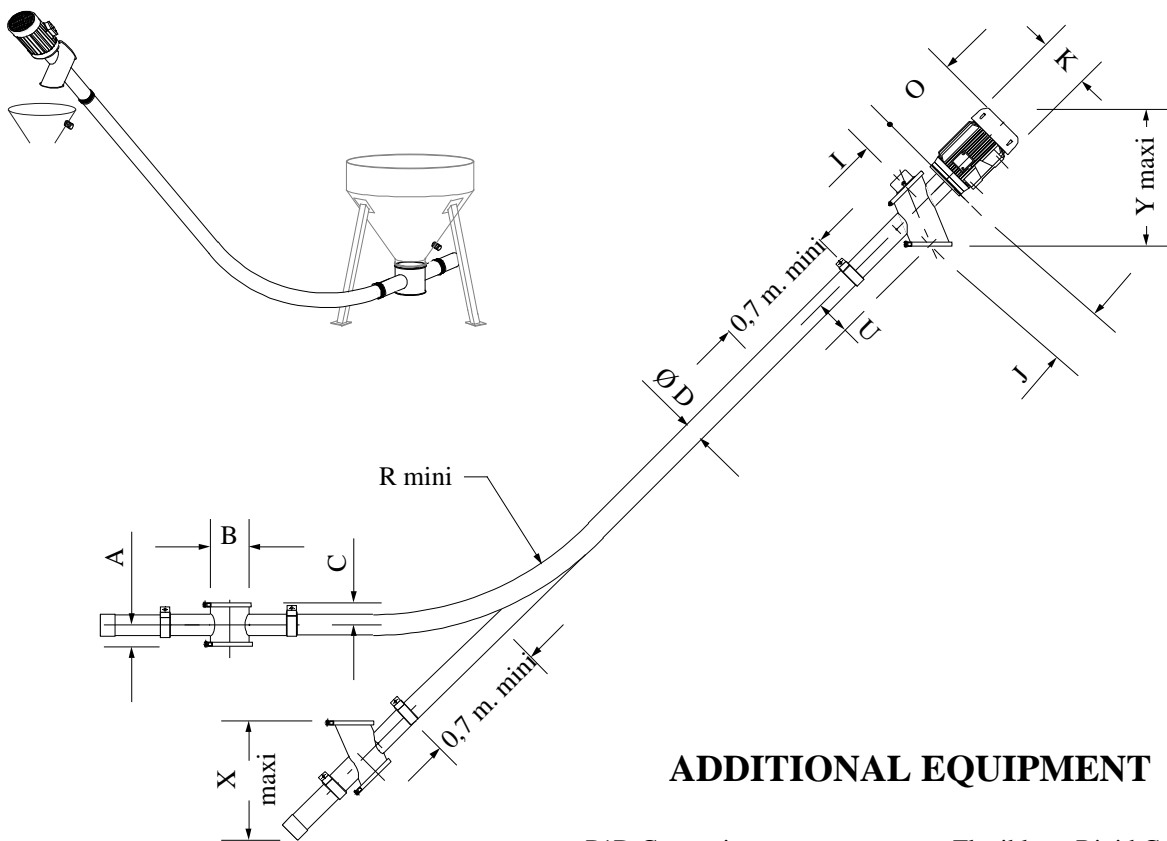
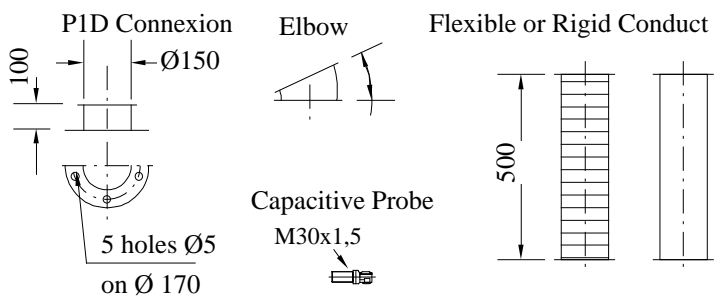


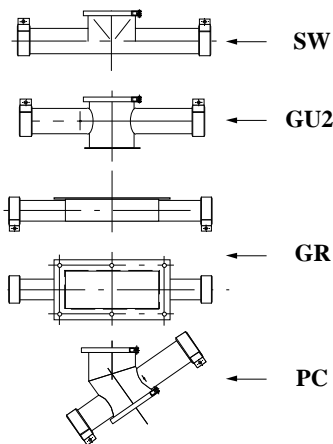
HANDLING SYSTEM T 14 TYPE



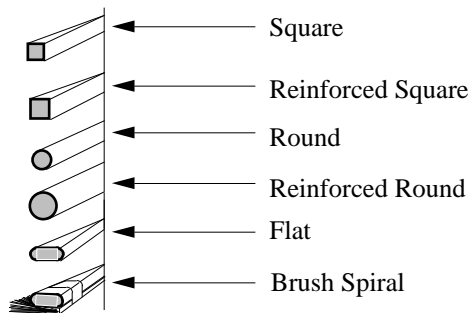
ADDITIONAL EQUIPMENT



INLETS



SPIRAL SECTIONS



| Type | A | B | C | D | I | J | O | K | Y | U | X | Weight / lg. |
|------|----|-----|----|----|-----|-----|-----------|---|-----|-----|-----|--------------|
| 82 | 75 | 150 | 75 | 80 | 125 | 214 | Following | | 620 | 132 | 350 | 3 Kg/m |
| 90 | 75 | 150 | 75 | 90 | 125 | 214 | Motor | | 620 | 132 | 350 | 3,5 Kg/m |